



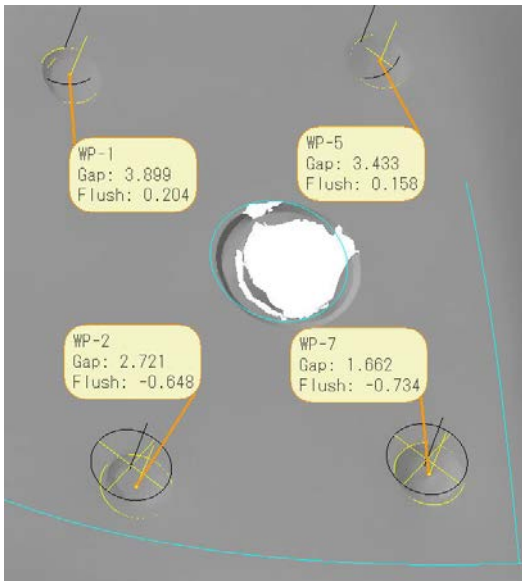
spGauge 2018.2

Upgrade News

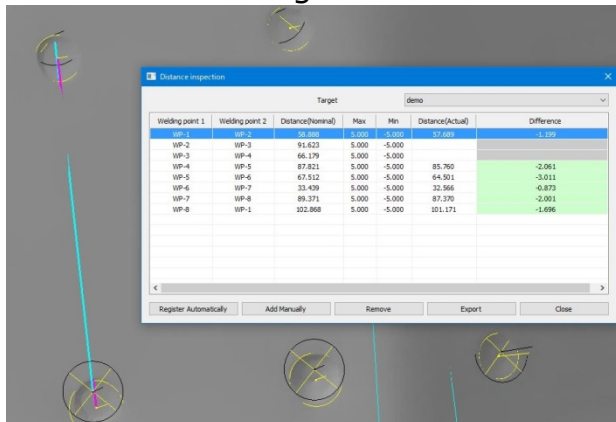
Added a feature to inspect welding points.

- The center position and radius of a welding point can be inspected.
- The distance between welding points can be inspected.

Centers & Radii of Welding Points



Inspection of Distance between Welding Points

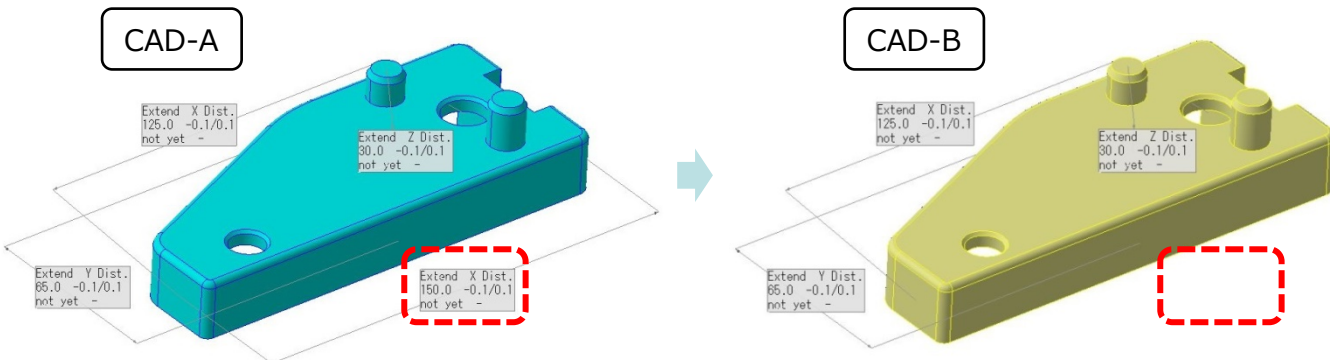


[Yellow] Reference geometries
[White] Shape of extracted welding points

Dimension Transfer between CAD Data

Now you can automatically transfer the inspection information defined on a CAD object to another CAD object. Inspection information supported in spGauge 2018.2 are Dimensional Tolerance (GD&T) and Auto 2D Measure.

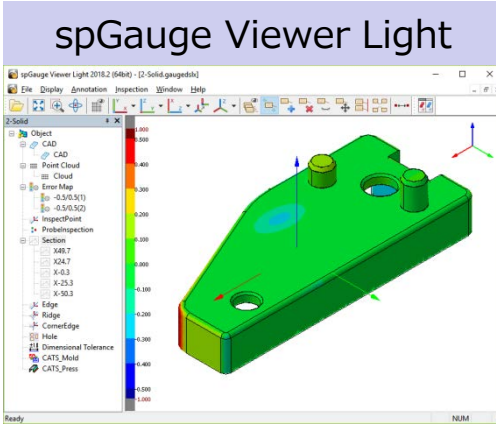
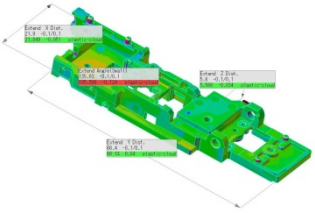
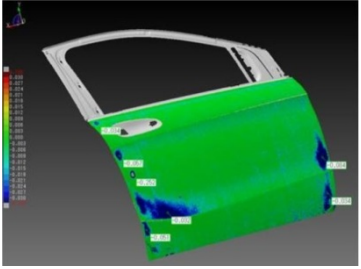
Transfer Dimensional Tolerance



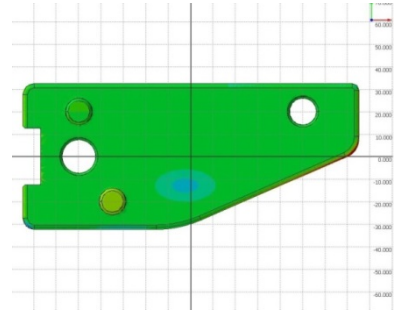
Dimensional tolerance indicated with is not transferred because it was registered to a part with a design modification.

Now you can see the result of [Dimensional Tolerance (GD&T)]/[Deformation] and display them in grid.

[Deformation]



Grid Display

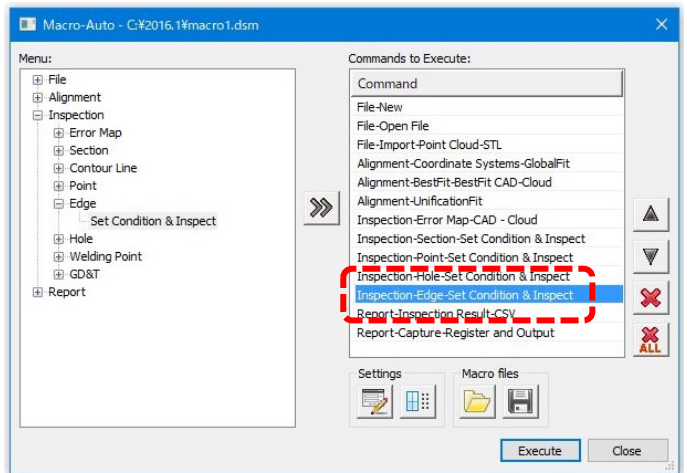
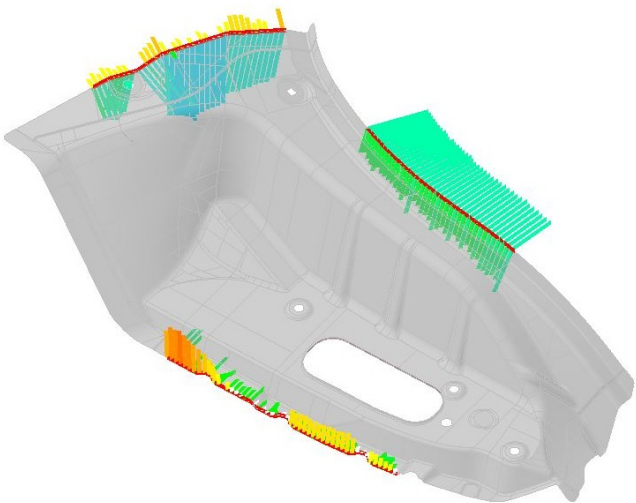


[Dimensional Tolerance (GD&T)]

Support Multiple Trimmed Edges using Automatic Macro Feature

Now you can inspect multiple locations using [Macro-Auto]'s trimmed edge inspection feature.

[Macro-Auto] Dialog



Using <Set Condition & Inspect of Trimmed Edge>, inspection of all trimmed edges are executed.

✓ **Dimensional Tolerance (GD&T)**

- A tolerance can now be set at the same time as defining a “dimensional tolerance (GD&T).”
- Threshold values of multiple dimensional tolerances (GD&T) can now be set all at once.

✓ **Capture (Active)**

- Now you can capture temporary display while executing a command such as “Curvature Evaluation” and “Deformation” evaluation.

✓ **Result Report**

- The font size of annotations on a report can now be specified.

✓ **Global Fit**

- Improved the success rate of Global Fit.

✓ **Sectional Inspection**

- Improved the processing speed of a sectional inspection.

- The copyright of this product as well as this documentation belongs to Armonicos Co., Ltd.
- This product and documentation can be used only under management of a registrant based on the software licensing agreement of this product.
- No copy, duplication, reproduction of part or all of this product and documentation shall be made without the consent of Armonicos Co., Ltd.
- The contents indicated by the specification of this product and the documentation may be changed without a prior notice.
- All company names and product names in this product and documentation are trademarks or registered trademarks of their respective companies.
- Compliance with Applicable Laws regarding Exports: Please do not use the product, or related information, technologies and materials, or goods and services made from the product, or related information, technologies (collectively, "Products") for the following purposes.
 1. Exporting the Products from Japan (including taking the Products out of Japan, indirectly exporting the Products through trading agencies, and disclosing the Products to non-residents in Japan) to a person who intends or is likely to intend to use the Products for developing, manufacturing, using or storing (collectively, "Development") nuclear weapons, biological weapons, chemical weapons or missiles (collectively, "Weapons of Mass Destruction" or "WMD") or other military purposes.
 2. Using the Products yourself for the purpose of Developing WMD or for other military purposes, or providing the Products to a person who have such purposes outside of Japan.

Developer : Armonicos Co., Ltd.

Hamamatsu ACT Tower 21st floor, 111-2 Itaya-machi, Naka-ku, Hamamatsu City, Shizuoka Prefecture
430-7721 Japan TEL: (+81)53-459-1000 FAX: (+81)53-459-1155 E-mail: spgauge@armonicos.co.jp