

All-in-One 3D CAD Data Translator

# spGate 2023.1

Upgrade News



## Import/Export

---

Supported 3D CAD Format Version Enhancements .....	3
[CATIA V5 Import] Import 3D annotations .....	4
[Common Export] Select world/local coordinates for export .....	4
[Parasolid Import] component name → group name .....	5
[Parasolid Export] group name → component name .....	5
[CAM-TOOL Export] Layer names can now be exported as comments .....	6
[CAM-TOOL Export] Layer No. extended from 1 to 1024 .....	6

## Enhancements

---

[View] Show/Hide 3D annotations .....	7
[Modify] Auto Healing per layer .....	7
[Advanced Tools] Create wireframes at interference/contact locations .....	8
[Advanced Tools] Create curves on 2D outline .....	8
[Analyze] Curve Length: Rectangle selection .....	9
[Create] Create Point .....	9
[Assembly Mode] Remove Component .....	10

## Specification change, etc

---

[Measurement] Dimension Attributes: Changed the text size configuration method .....	10
[Measurement] Dimension Attributes: Resize text after creating dimensions .....	11
[Face Color Pane] Reordering .....	11
[File] Exit spGate: Warning Dialog .....	12

## Supported 3D CAD Format Version Enhancements

Only the expanded part is shown in red text.

System/Format	Import	Export
CATIA	<b>V5-6R2022(R32)</b>	<b>V5-6R2022(R32)</b>
NX	<b>2007</b>	-
Creo	<b>8</b>	-
SOLIDWORKS #	<b>2022</b>	-
Alias	13.0 ~ 2016	13.0 ~ 2016
Rhinoceros	2.0 ~ 6.0	3.0 ~ 6.0
Parasolid	<b>34.0</b>	13.0
ACIS	<b>2022 1.0</b>	<b>2022 1.0</b>
IGES	~ V5.3	V5.3
STEP	AP203, AP214	AP203, AP214
STL	○	○
OBJ	○	○
JT #	8.1, 9.0, 9.1, 9.5	8.1
CAM-TOOL	-	V13.1
Maya	-	V8.0
CFIO	○	○
spGauge	-	2017.1
spScan	<b>2020.1 ~ 2022.1</b>	2013.1

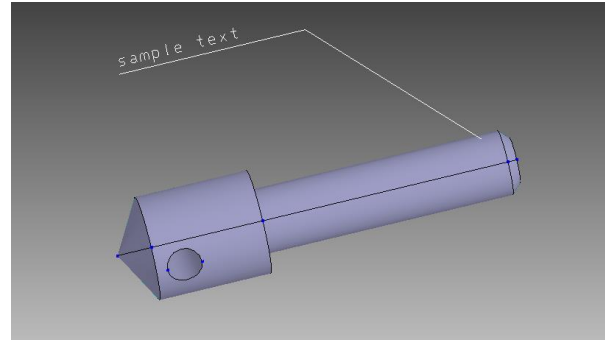
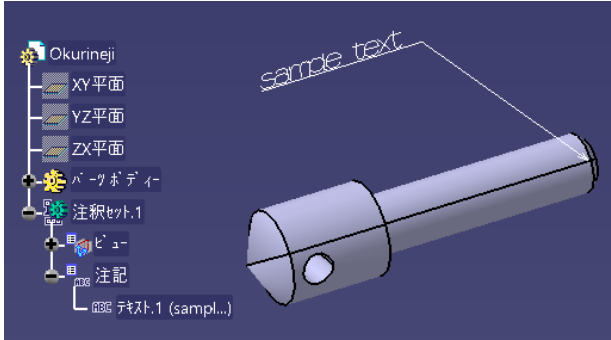
- # require optional licenses.
- For the latest import/export specifications, please visit the spGate WEB site.  
[https://www.armonicos.co.jp/en/spgate\\_blog/io/](https://www.armonicos.co.jp/en/spgate_blog/io/)

Import/Export

## [CATIA V5 Import] Import 3D annotations

Import of 3D annotations of CATIA V5 is now available.

There is no import option. Import is forced. (CATProduct is not supported).



Import/Export

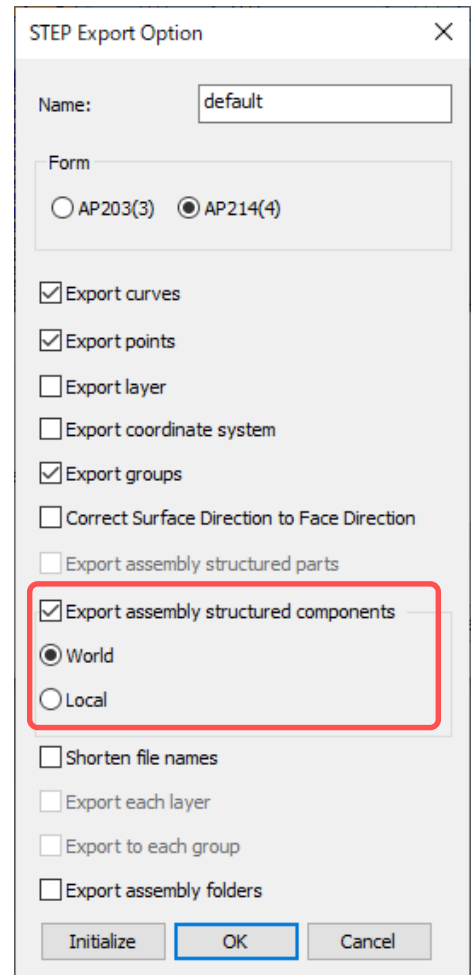
## [Common Export] Select world/local coordinates for export

In "Export assembly structured components," it is now possible to select a coordinate system for export.

World: Export in the global coordinate system

Local: Export in each part's coordinate system

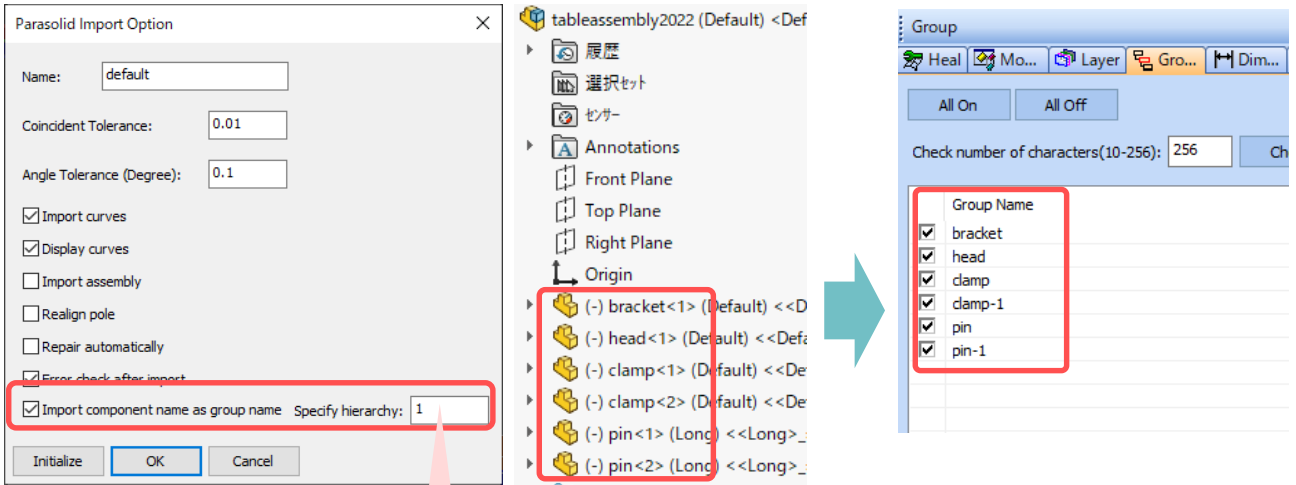
This function is effective when importing a model as an assembly.



Import/Export

**[Parasolid Import] component name → group name**

Parasolid component names can now be imported as group names.

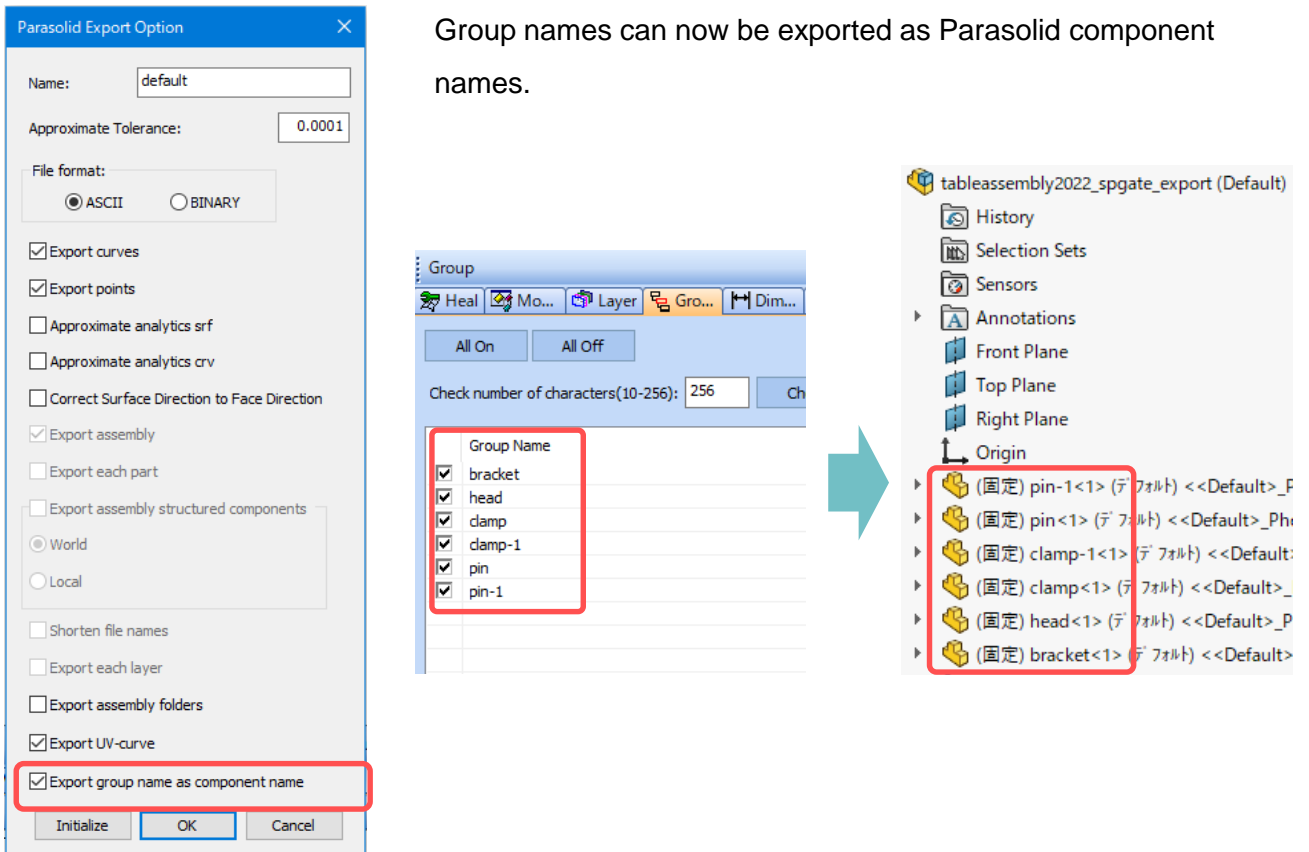


You can specify up to which hierarchy to include as a group name.

Import/Export

**[Parasolid Export] group name → component name**

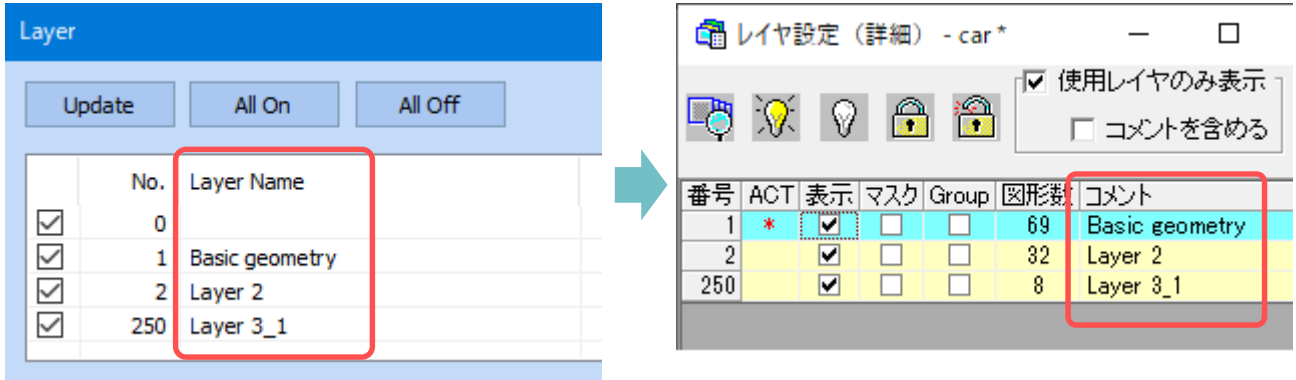
Group names can now be exported as Parasolid component names.



## Import/Export

**[CAM-TOOL Export] Layer names can now be exported as comments**

Layer names can now be imported into the comment field of CAM-TOOL's layer settings.



The image shows two screenshots illustrating the process of exporting layer names as comments. On the left, a 'Layer' dialog box displays a table with columns 'No.' and 'Layer Name'. The 'Layer Name' column is highlighted with a red box. On the right, a 'レイヤ設定 (詳細) - car\*' dialog box shows a table with columns '番号', 'ACT', '表示', 'マスク', 'Group', '図形数', and 'コメント'. The 'コメント' column is highlighted with a red box, showing the layer names 'Basic geometry', 'Layer 2', and 'Layer 3\_1' imported from the left screenshot. A green arrow points from the left screenshot to the right one.

No.	Layer Name
0	
1	Basic geometry
2	Layer 2
250	Layer 3_1

番号	ACT	表示	マスク	Group	図形数	コメント
1	*	<input checked="" type="checkbox"/>	<input type="checkbox"/>	<input type="checkbox"/>	69	Basic geometry
2		<input checked="" type="checkbox"/>	<input type="checkbox"/>	<input type="checkbox"/>	32	Layer 2
250		<input checked="" type="checkbox"/>	<input type="checkbox"/>	<input type="checkbox"/>	8	Layer 3_1

## Import/Export

**[CAM-TOOL Export] Layer No. extended from 1 to 1024**

CAM-TOOL Export has been expanded to layer No.1~1024.

Layer No. 0, 1025 or later

Layer No. 0 on spGate: Merged into layer No. 1

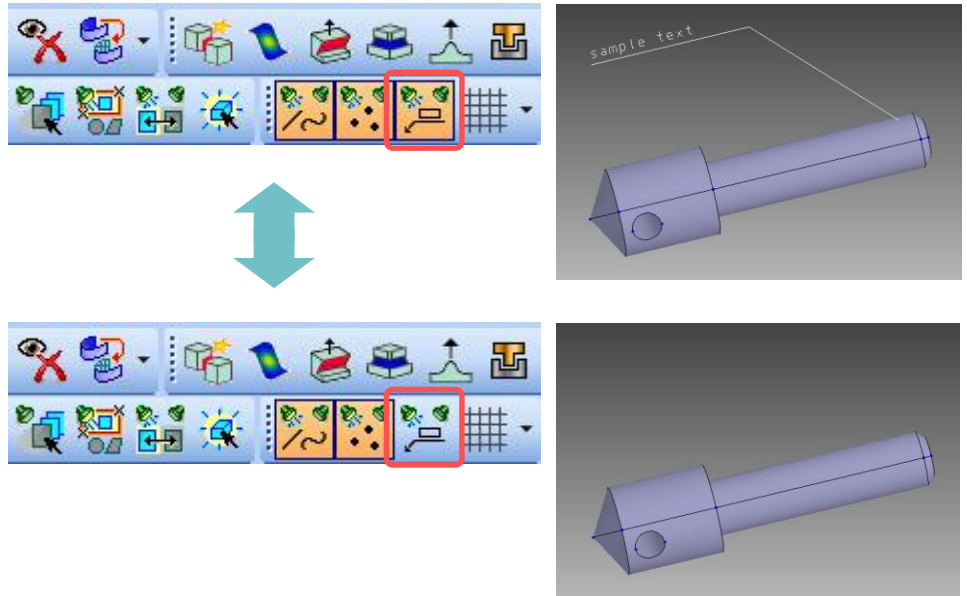
Layer No. 1025 and after on spGate: Merged into layer No. 1024

Enhancements

**[View] Show/Hide 3D annotations**

Show/Hide the 3D annotations.

Menu: [View]-[Display Control]-[Show/Hide Annotations]

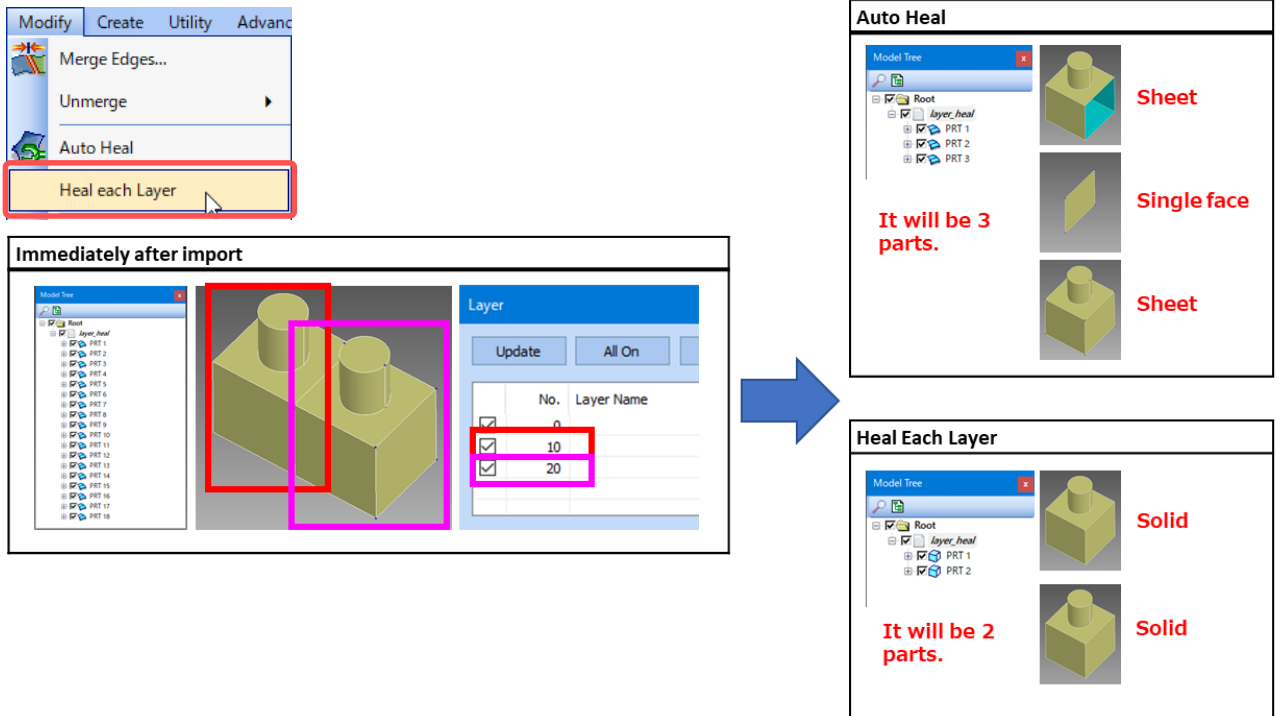


Enhancements

**[Modify] Auto Healing per layer**

Automatic healing can now be performed on a per-layer basis.

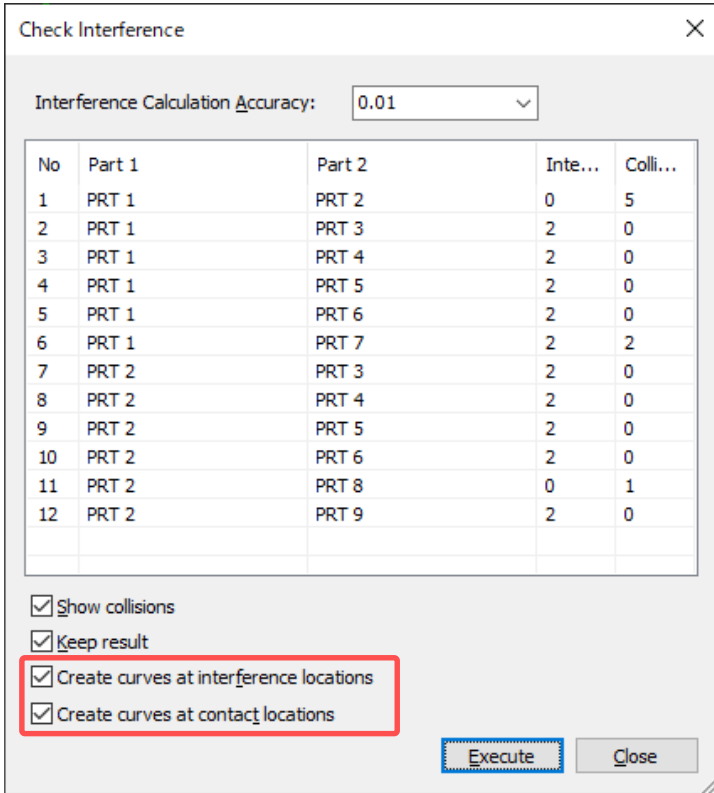
Menu: [Modify]-[Heal Each Layer]



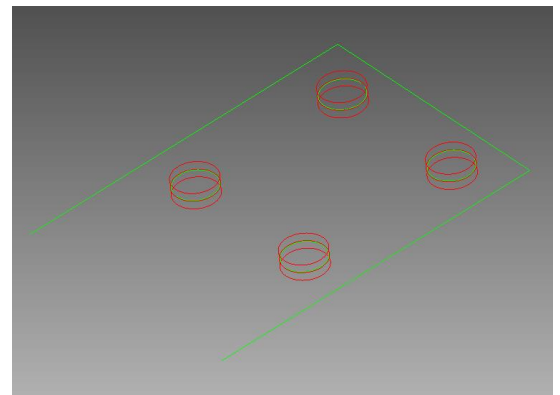
Enhancements

## [[Advanced Tools] Create wireframes at interference/contact locations

Wireframes can now be created at "Interference locations (red)" and "Contact locations (green)".



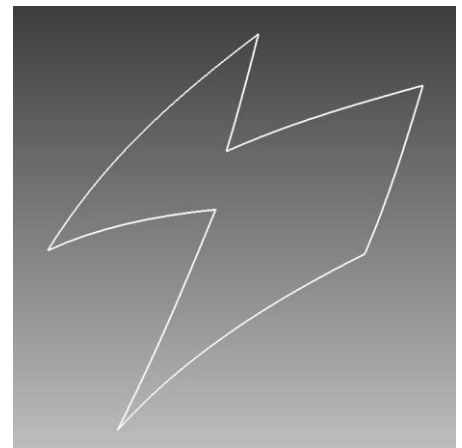
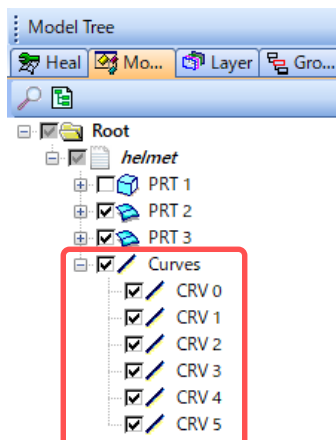
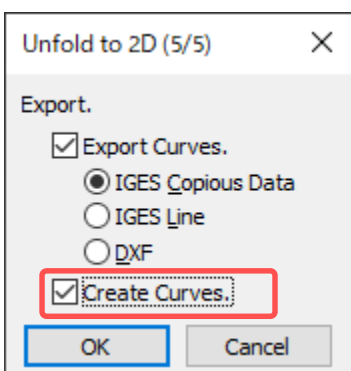
By exporting the created curves, you can check the interference/contact locations in CAD.



Enhancements

## [[Advanced Tools] Create curves on 2D outline

You can now check the curves after 2D expansion on spGate.

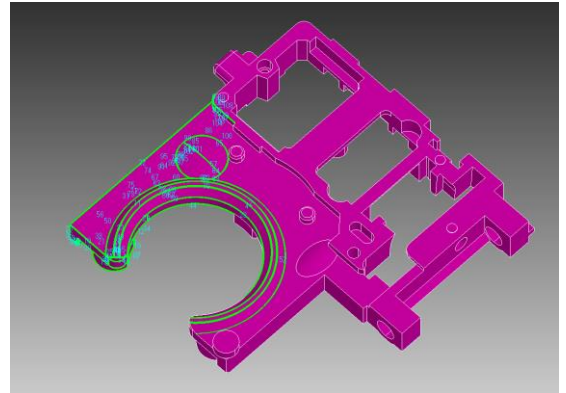
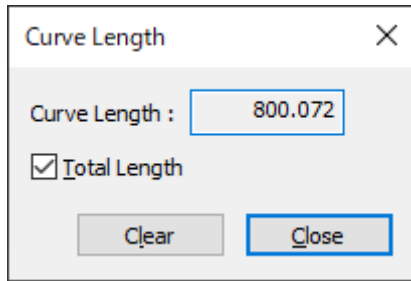
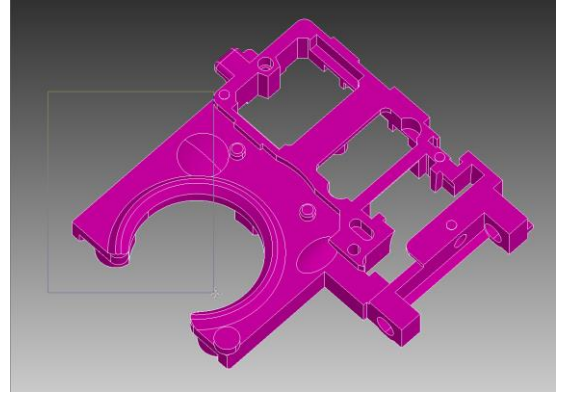
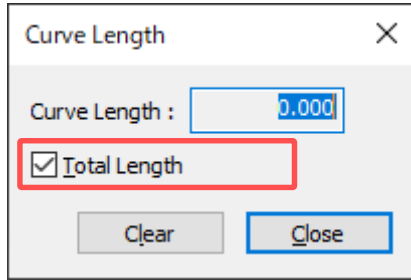




Enhancements

## [Analyze] Curve Length: Rectangle selection

When "Total Length" is ON, you can now rectangularly select the curves to measure.

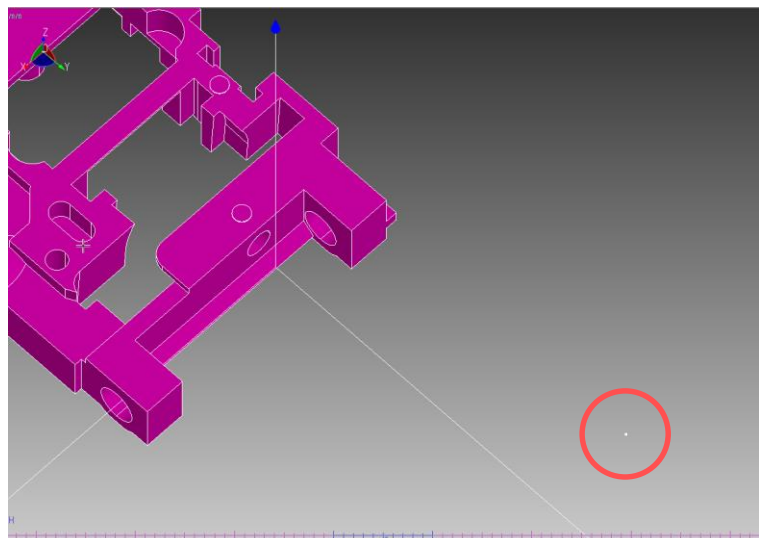
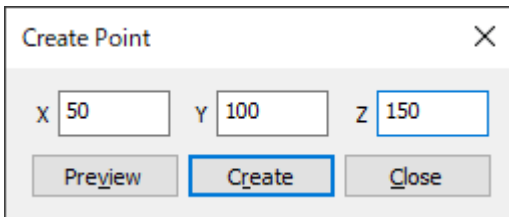


Enhancements

## [Create] Create Point

"Create Point" function has been added.

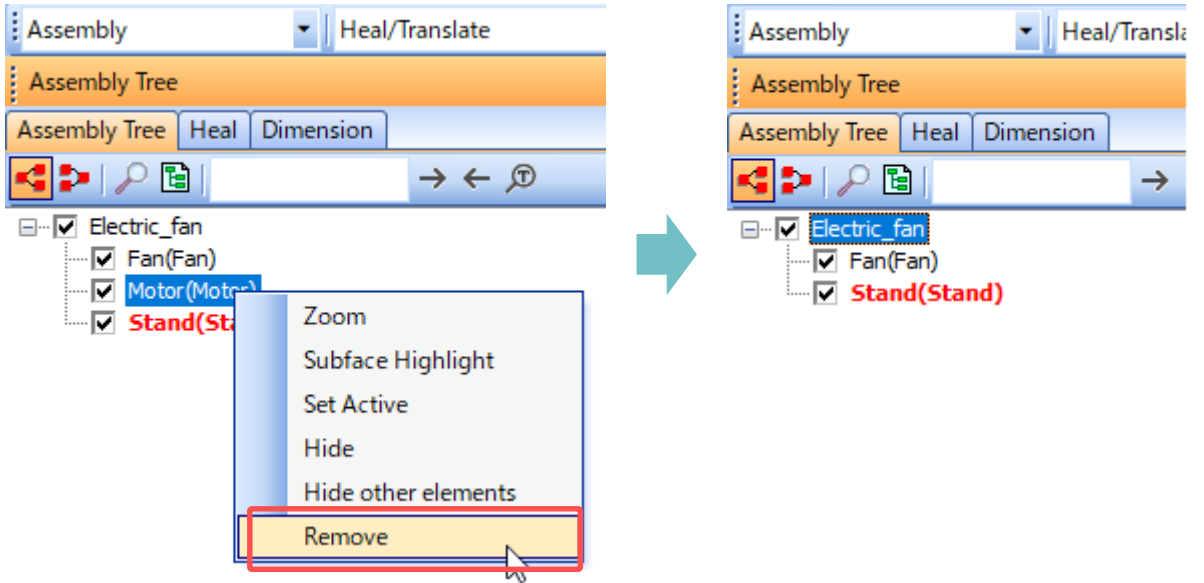
Menu: [Create]-[Create Point]



Enhancements

## [Assembly Mode] Remove Component

Components of an assembly can now be removed.



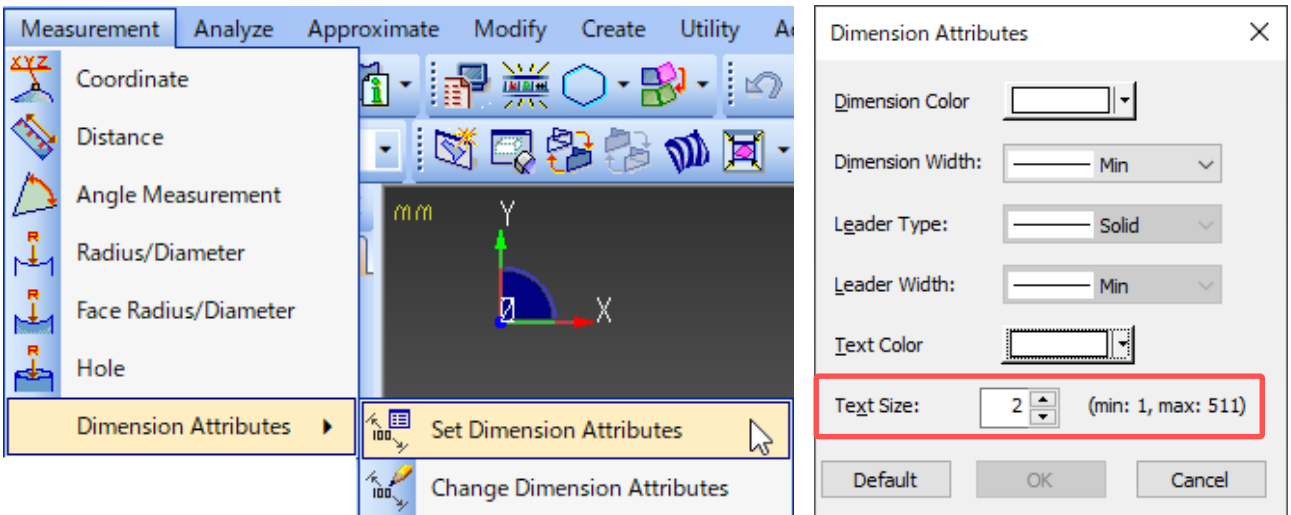
Specification change, etc

## [Measurement] Dimension Attributes: Changed the text size configuration method

The text size of dimensions created in the "Measurement" menu can now be set from "1" to "511".

Menu: [Measurement]-[Dimension Attributes]-[Set Dimension Attributes]

note: The command has been moved from the "View" menu to the "Measurement" menu.

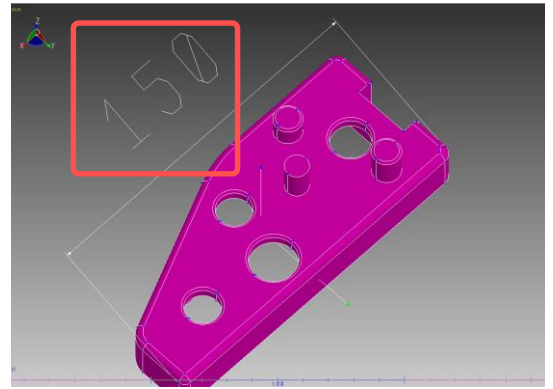
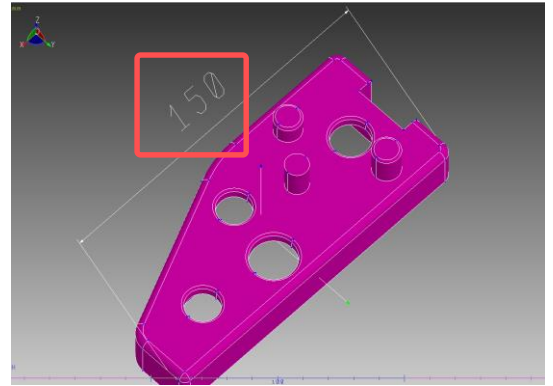
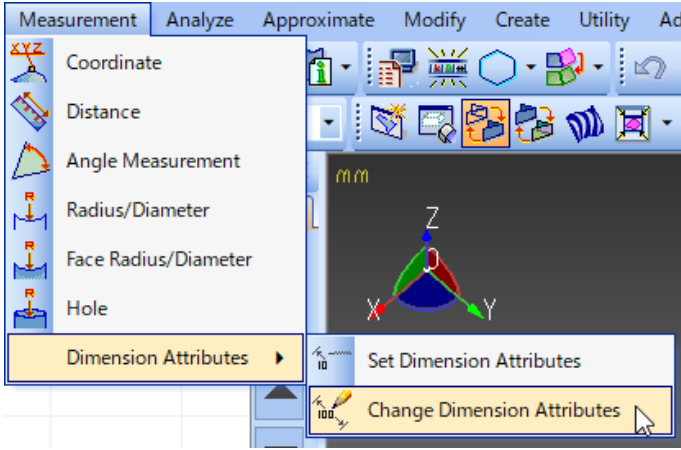


Specification change, etc

## [Measurement] Dimension Attributes: Resize text after creating dimensions

It is now possible to change the text size after creating a dimension.

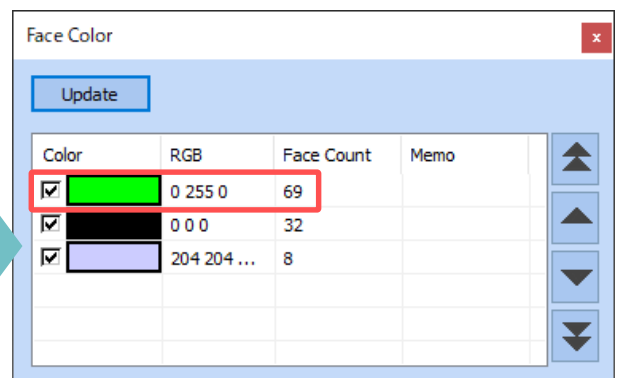
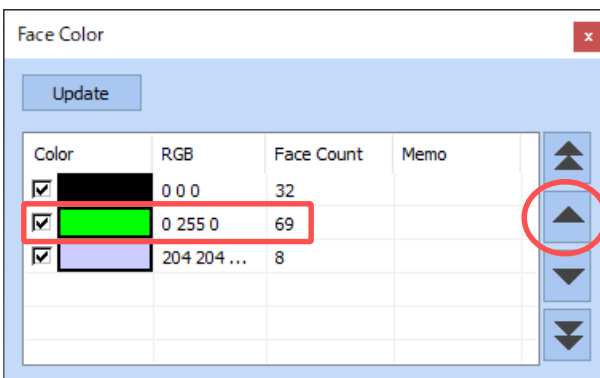
Menu: [Measurement]-[Dimension Attributes]-[Change Dimension Attributes]



Specification change, etc

## [Face Color Pane] Reordering

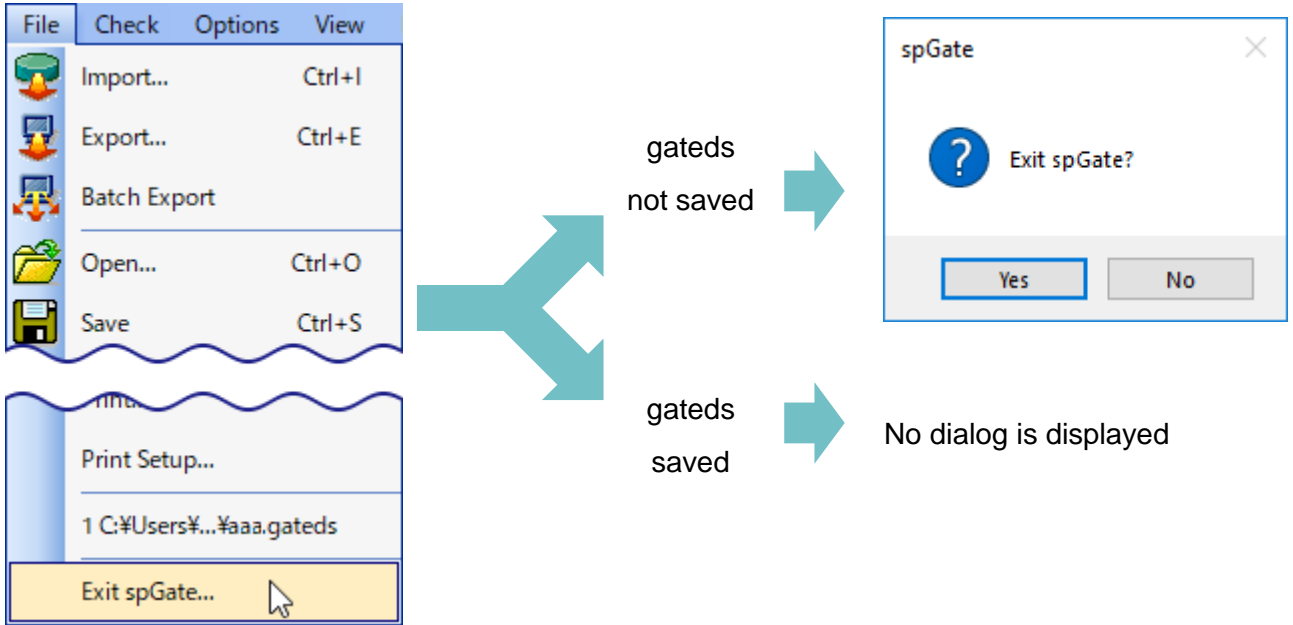
The order of colors can now be reordered.



Specification change, etc

## [File] Exit spGate: Warning Dialog

When exiting spGate, a warning dialog is no longer displayed if the model has been saved.



## Developer



**Armonicos Co., Ltd.**

Hamamatsu ACT Tower 21st floor, 111-2 Itaya-machi, Naka-ku, Hamamatsu  
City, Shizuoka Prefecture 430-7721 Japan

<https://www.armonicos.co.jp/en/>